

ZEUS ROBOT



GLOBAL ZEUS

Global Zeus has grown alongside the development of the semiconductor, display, robot and IT industries.

Regardless of the customer's geographic location or their specific needs and requirements, our company provides the highest quality in available solutions and excellence in customer support.

This has been our unwavering goal and entrepreneurial spirit for over the est. 50 years and it will continue to drive our motivation and enthusiasm towards good business practices.





BE READY

- On-site Zeus engineers are ready for domestic/overseas site stabilization
- Training and development of repair & maintenance experts on site
- More than 100 engineers on site



Made In Korea

- Appraised for have a faster response than our peers
- Customization for demands
- Import replacement effect



PROFESSIONAL

- More than 25 years in robotics business
- Proprietary technology (Motor, Robotics, Control)
- Experienced robotics development engineers

HISTORY

2020s

- 2025.08 Established Global Zeus Vina
- 2024.01 Capital increase (15,539,950,000 KRW)
- 2023.09 Subsidiary J.E.T. listed on the Tokyo Stock Exchange Standard Market (Japan)
- 2023.03 Selected by the Ministry of Trade, Industry and Energy as the Best Company
- 2023.03 Awarded 'Exemplary Taxpayer Commendation' by the National Tax Service
- 2022.08 HERACEM TECHNOLOGY INCORPORATING SUBSIDIARY (Manufacture of photosensitive materials and chemicals)
- 2022.11 The Ministry of Employment and Labor, Job Planet selected an excellent company in work-life balance
- 2021.02 Main building of new head office in Hwaseong completed

2010s

- 2019.12 Won the KITA' 100M\$ Export Tower award
- 2019.06 Industrial articulated robot launched
- 2018.04 Relocated head office to Hwaseong, Gyeonggi-do
- 2018.01 Completed construction of semiconductor site in Hwaseong, Gyeonggi-do
- 2017.12 Paju, Gyeonggi-do business place completed
- 2014.05 Received the World Class 300 Company certificate of Designation from SMBA
- 2013.09 Designated as a leading company in HR practices, "Best HRD Company"
- 2013.04 Established ZEUS China
- 2011.12 Received the Korean World-class product award for HP/CP

2000s

- 2009.04 Acquired JET CO., LTD (Manufacturer of wet stations for the semiconductor industry)
- 2007.12 Acquired 3Z Corporation
- 2006.02 Listed on the KOSDAQ
- 2005.07 Relocated Head Office to Osan
- 2004.12 Established Ansan Plant-2
- 2004.03 Won the Korean Silver Tower Industrial Medal
Established an office in China
- 2004.01 Completed construction on new office buildings in Osan
- 2003.12 Established Ansan Plant-1
- 2003.05 Selected as an exemplary taxpayer by the NTS
- 2003.03 Manufactured LCD glass HP/CP
- 2003.03 Received an exemplary taxpayer award from the Deputy Prime Minister of Finance and Economy
- 2002.03 Manufactured LCD in-line transfer system, LCD bake oven, LCD inspection equipment
- 2000.12 Constructed office building and commenced operations in Yongin

1900s

- 1999.10 Prepared manufacturing base for 3G LCD
- 1996.12 Introduced 2G LCD in-line system
- 1988.12 Converted to a corporation as ZEUS CO., LTD
- 1981.05 Entered into the semiconductor equipment business area
- 1970.03 Established ZEUS COMM. Corporation



EVERYTHING STARTS WITH ZEUS ROBOT SERIES

ZEUS robots are automated robots that offer a high level of reliability. Check out our ZEUS Robot robotics for your most ideal production process system.

Controller

Wide variety of teaching methods

Desired teaching methods, depending on the purpose and method, can be used.

Integrated robotics control realized

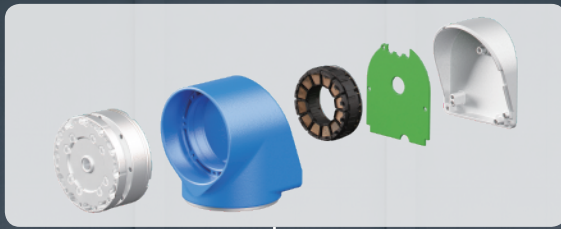
Each robot is connected using EtherCAT to enable integrated control. A system is provided for the collaboration of multiple robots, and system scalability is convenient.



Controller

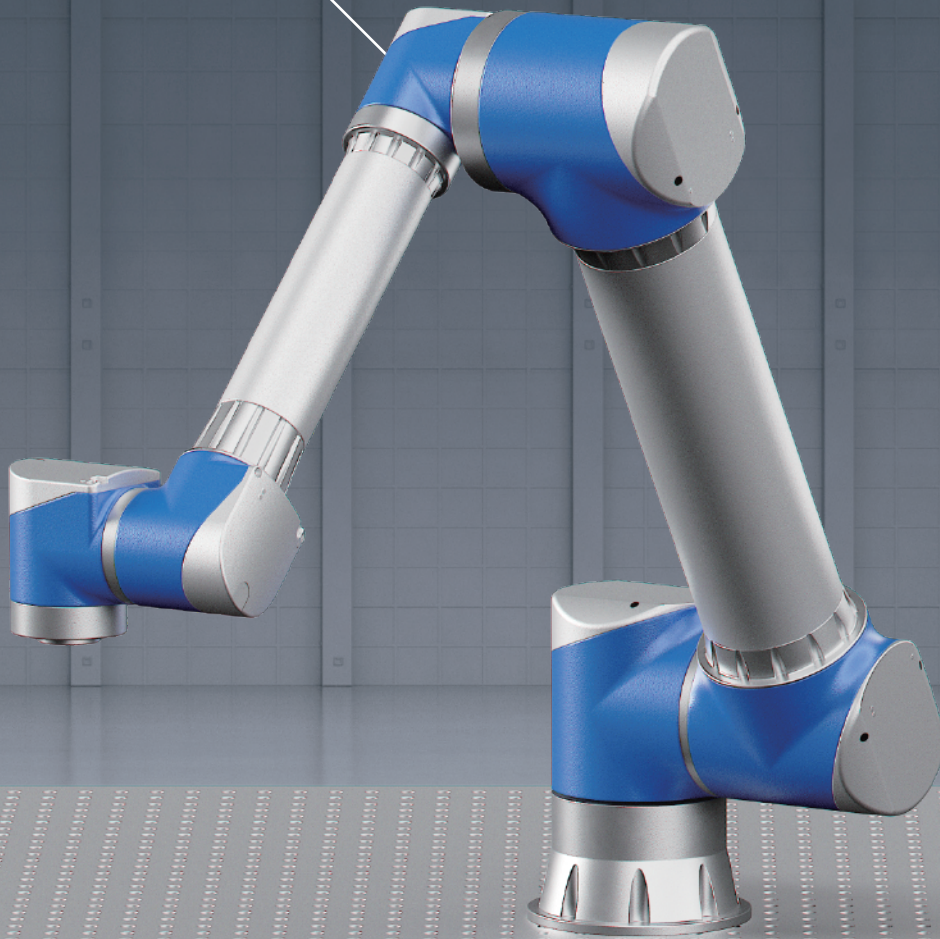
Provided by default

All-in-one Joint Module



Modular actuators

Motors, reducers, encoders, and motor drives, among other parts needed for robot joint operation have been modularized into one actuator. This cuts manufacturing costs through parts standardization.



Laptop / Tablet

Prepared separately by the client



Teaching Pendant

Optional



Jog Stick

Optional

RESEARCH & DEVELOPMENT CUSTOM ROBOT

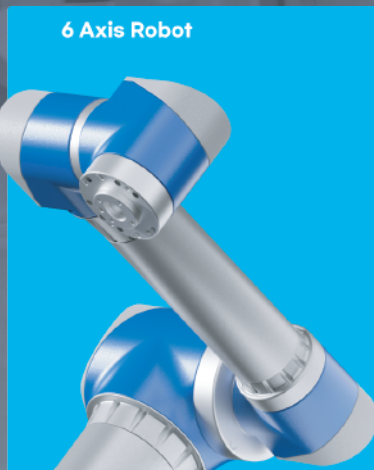
Can develop customized robots for customers' work environment, requests and target product specifications.

Joint module technology and custom robot development

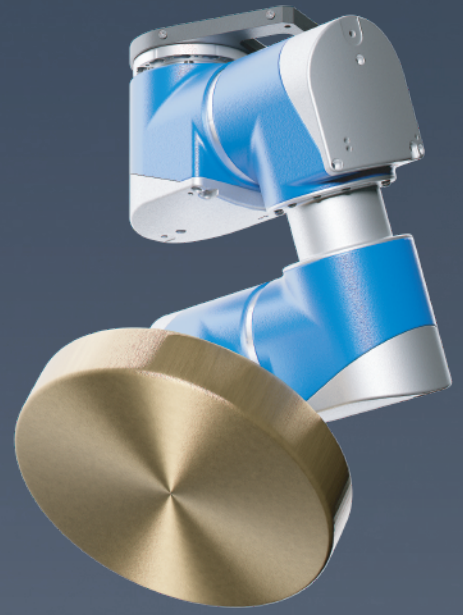


Secured motor self-production technology

We have secured motor self-production technology with overseas collaborators. Motor drives can be manufactured in Korea, which enables cost reduction and optimized design. We also possess control algorithm core technologies for motors.



Using joint modules, we developed new robots.



6 AXIS

6 Axis Articulated Robot 'ZRA'

Pass-Through Motion

Small Footprint

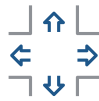
ZEUS 6 axis robot requires small space for installation. And by having high degree of freedom, it can be applied to various applications.



Payload
5~7kg



Weight
17kg



Working Area
Ø1320~1720



1 Pass-through motion saves time and space

Pass-Through function

- Unique manipulator motion while the 1st Arm is longer than the 2nd Arm
- Transfer items without turning manipulator to the opposite side
- Apply pass-through when implementing motion
- Save operating space and takt time for the entire process

Optimal space utilization

- Having no turning motion makes space utilization maximized
- Have excellent efficiency when mounted in cases such as machine tools, vending machines, and unmanned stores



Turn-Around



Pass-Through

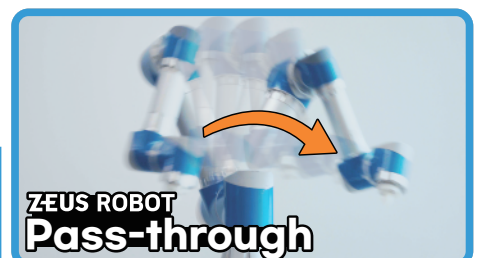
2 Easily applicable small footprint

Small size that can be installed alone

- Has a small footprint and can be installed in small spaces
- Diameter of base flange: 149mm

Anywhere applicable light weight

- Lighter than other products with similar payload
- Minimize footprints by installing on the ceiling



SCARA

Horizontal Articulated Robot 'ZRB'



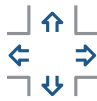
ZEUS SCARA robot has high rigidity to allow precise posture control by its minimal belt use. Clean room option ready



Payload
0.5~4kg



Weight
14~15kg



Working Area
Ø800~1300

1 Modular SCARA Robot

Easy parts replacement and repair by using joint modules

- Scara robots share some of the ZRA model parts

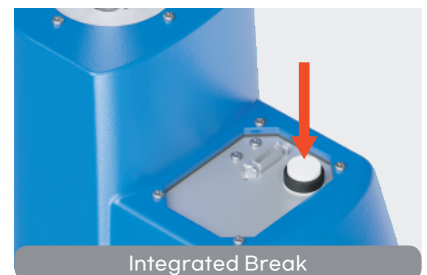
Repeatability	XY (mm)	± 0.01
	Z (mm)	± 0.01
	Roll (deg)	± 0.01

*tested on 400mm model *ISO 9283 compliance

2 Rigid Design

Z / Roll Axis module with minimal belt use

- Do not use the belt by designing the screws and motors on the Z axis module in a directly connected structure
- High rigidity allows precise posture control when moving quickly with high payload

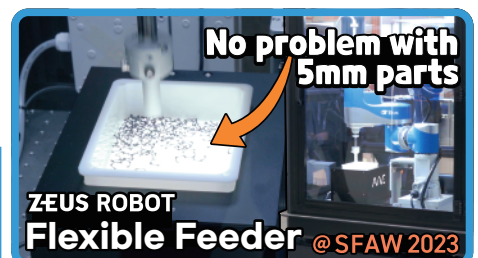


Integrated Break

3 Integrated Break

Z / Roll Axis brake release button

- Two brakes (Z-Axis and R-Axis) can be released and operated simultaneously with one button



DELTA

Parallel Robot 'ZRC'

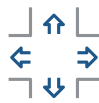
Delta lineup has 20kg lightweight model and 1300, 1600mm range large model. Top-notch level repeatability.



Payload
1~3kg



Weight
20kg,
80kg



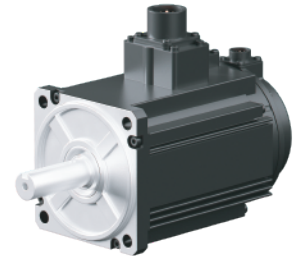
Working Area
Ø 400,
Ø 1300~1600



1 High-power, stiff, lightweight large model

Increased payload and repeatability

- In order to improve the payload and repeatability while having longer arm length, the 1st Arm was designed to be stiff and lightweight and 2nd Arm is made of carbon FRP
- 1kW power motor for each axis to achieve faster operation



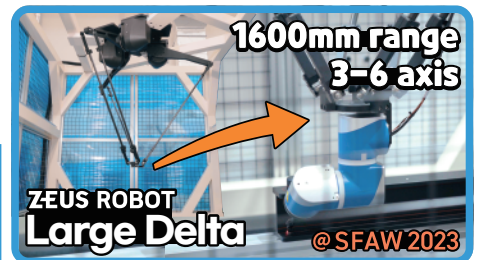
2 Enhanced Delta Robot

Integrated brake release button in 3 joints

- for simple operation and teaching

Easily replaceable end effector

Upper installation design maximizes workspace



3 Conveyor tracking

Product position tracking & orientation alignment

- reduce additional facilities and simplify processes in a variety of industrial environments



TEACHING PENDANT

Touch UI Teaching Pendant 'ZP'

Touch-based pendant which controls and commands ZEUS Robot robots without PC. Easy-to-carry stationary structure and back strap.



1 ZEUS Robot series tailored software

Operate all ZEUS Robot series robot with multiple motors

- Software updates when developing additional robots
- Pendant checks the information on the robot stored in the controller to recognize the connected robot

2 Live monitoring

Check robot / controller information and data

- Controller I/O signals can be turned on and off for real-time monitoring and control

3 Improved response speed

Jog commands can be sent in 0.2 seconds

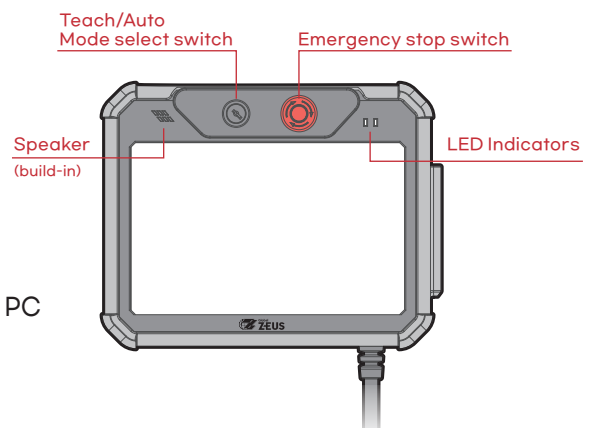
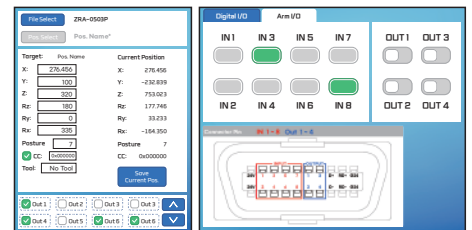
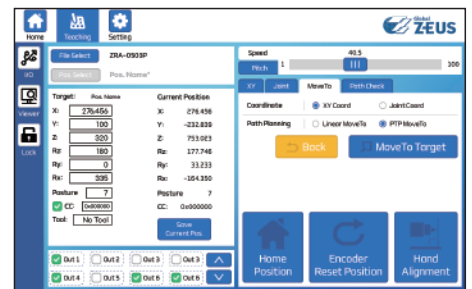
- Traditional web app methods result in delays
- Python QT has been employed to reduce resource occupancy and optimize speed

4 Easy and intuitive use

Mode change switch by turning a key

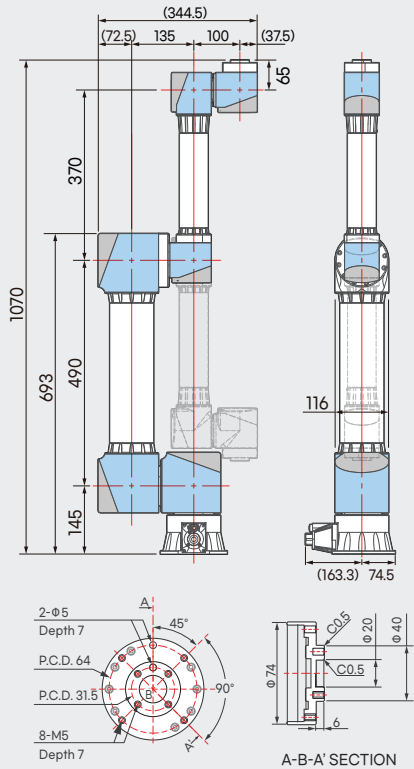
Easy and intuitive use

- Convenient touch panel is applied, and can be used without PC
- The layout compatibility is high in the form of a desk holder, and enable switch, EMS switch adds safety



6 AXIS

6 axis articulated robot ZRA
 * ZRA-0515P model example



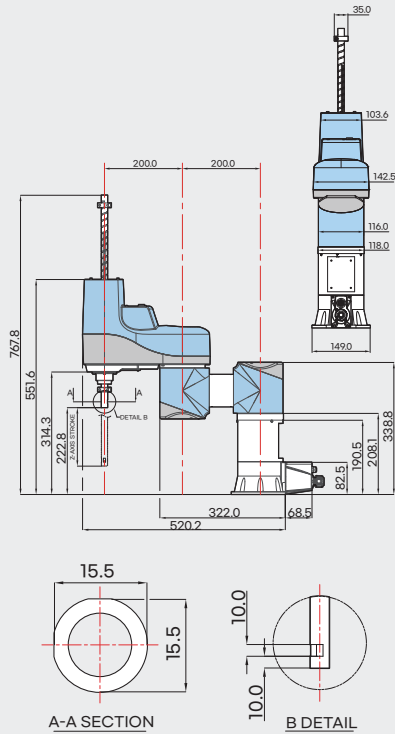
Item	Unit	ZRA-0503P	ZRA-0515P	ZRA-0502N	ZRA-0514N	
Structure	-	Articulated robot				
Degrees of motion freedom	-	6				
Mount direction	-	Floor, ceiling				
Drive system	-	BLDC motor				
Position detection method	-	Multi-turn Absolute Encoder (Battery Backup)				
Position control method	-	Servo control				
Break	-	J1, J2, J3: Holding brake (Disc brake) J4, J5, J6: Holding brake (Mechanical stopper)				
Payload	Standard	5				
	Maximum	7	5	7	5	
Arm length (1st Arm + 2nd Arm)	mm	660 (390 + 270)	860 (490 + 370)	660 (320 + 340)	860 (420 + 440)	
Work area	mm	1320	1720	1320	1720	
Motion range	deg	J1	480 (±240)	480 (±240)	480 (±240)	480 (±240)
		J2	480 (±240)	480 (±240)	480 (±240)	480 (±240)
		J3	480 (±240)	480 (±240)	300 (±150)	300 (±150)
		J4	480 (±240)	480 (±240)	480 (±240)	480 (±240)
		J5	480 (±240)	480 (±240)	480 (±240)	480 (±240)
		J6	720 (±360)	720 (±360)	720 (±360)	720 (±360)
Resultant velocity	mm/s	4420	5540	4570	5700	
Repeatability	mm	±0.02				
Permissible load inertia	x10 ⁻⁴ kg·m ²	J4	0.15	0.15	0.15	0.15
		J5	0.27	0.27	0.27	0.27
		J6	0.33	0.33	0.33	0.33
Dimensions	-	149 x 331 x 873	149 x 331 x 1073	149 x 331 x 873	149 x 331 x 1073	
Weight	kg	17.2	17.5	17.2	17.5	
Compatible controller	-	ZC100*				
Arm I/O (for tool)	-	8 input ports, 4 output ports / DC 24V power output				
Manipulator cable length	m	2.9				
Manipulator mount	-	M8 screws at 7 spots (refer the dimension drawing)				
End-effector mount	-	M5 screws at 4 spots (refer the dimension drawing)				
Noise	dB	Under 70 (Based on our test)				

In addition to the four main models above, there are various Arm length options.

No.	Arm length (mm)	1st Arm length (mm)	2nd Arm length (mm)	Model number
1	590	320	270	ZRA-0501N
2	660	320	340	ZRA-0502N
3	660	390	270	ZRA-0503P
4	690	320	370	ZRA-0504N
5	690	420	270	ZRA-0505P
6	730	390	340	ZRA-0506N
7	760	320	440	ZRA-0507N
8	760	390	370	ZRA-0508N
9	760	420	340	ZRA-0509N
10	760	490	270	ZRA-0510P
11	790	420	370	ZRA-0511N
12	830	390	440	ZRA-0512N
13	830	490	340	ZRA-0513P
14	860	420	440	ZRA-0514N
15	860	490	370	ZRA-0515P

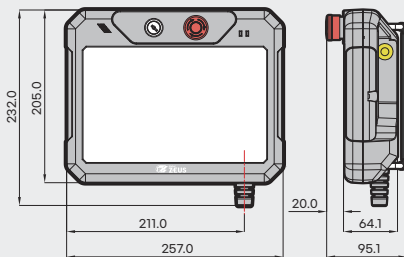
SCARA

Horizontal articulated robot ZRB
 * ZRB-0440N-15A model example



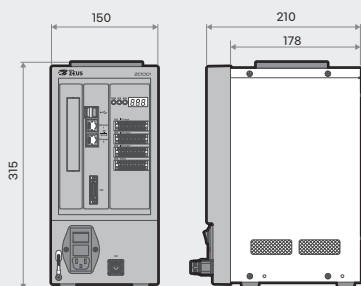
Item	Unit	ZRB-0440N-15A	ZRB-0452N-15A	ZRB-0465N-15A
Structure	-	Horizontal articulated robot		
Degrees of motion freedom	-	4		
Mount direction	-	Floor		
Drive system	-	BLDC motor		
Position detection method	-	Multi-turn Absolute Encoder (Battery Backup)		
Position control method	-	Servo control		
Break	-	J1,J2(Dynamic Brake) Z(Disk Brake) Roll(Pin Brake)		
Payload	Standard	2	1	0.5
	Maximum	4		
Arm length (1st Arm + 2nd Arm)	mm	400 (200 + 200)	525 (200 + 325)	650 (200 + 450)
Work area	mm	ø 800 x H150	ø 1050 x H150	ø 1300 x H150
Motion range	J1	290 (±145)		
	J2	290 (±145)		
	Z	150		
	J4	720 (±360)		
Resultant velocity	J1+J2	5100	5990	6880
	Z	1013		
	Roll	1018		
Repeatability	XY	±0.01	±0.015	±0.02
	Z	±0.01		
	Roll	±0.01		
	Standard	0.03		
Permissible load inertia	Maximum	0.05		
	Dimensions	(refer the dimension drawing)		
Weight	kg	13.8	14.2	14.6
Power consumption	W	550		
Compatible controller	-	ZC100*		
Arm I/O (for Tool)	-	8 input ports, 4 output ports / DC 24V power output		
Pneumatic piping	mm	ø 4 3 pipes		
Manipulator cable length	m	2.9		
Manipulator mount	-	M8 screws at 7 spots (refer the dimension drawing)		
End-effector mount	-	Hollow axle outer radius $\Phi 6$, inner radius $\Phi 11$ (refer the dimension drawing)		
Noise	dB	Under 77 (Based on our test)		

TEACHING PENDANT



Item	단위	ZP1000
Name	-	Teaching pendant
Dimensions	mm	257 x 205 x 95.1
Weight	kg	Under about 1.2
Voltage	V	DC 24
Maximum current	A	DC 1.0
Power consumption	W	Under 12
Screen	-	10.1-inch TFT LCD
Screen resolution	-	1280 x 800
Enable switch	-	3 steps, 2 channel
Emergency stop switch	-	2 channel
Mode select switch	-	2 steps, 2 channel

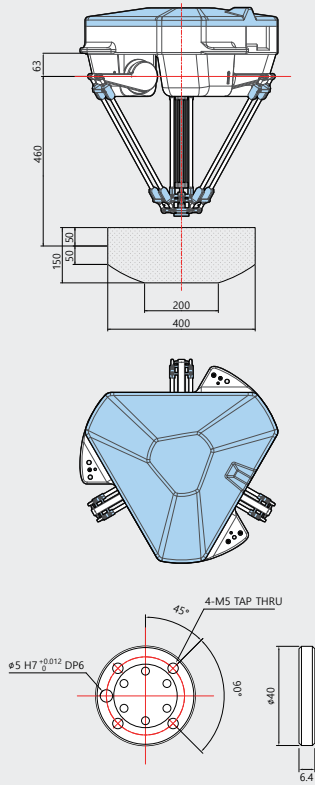
CONTROLLER



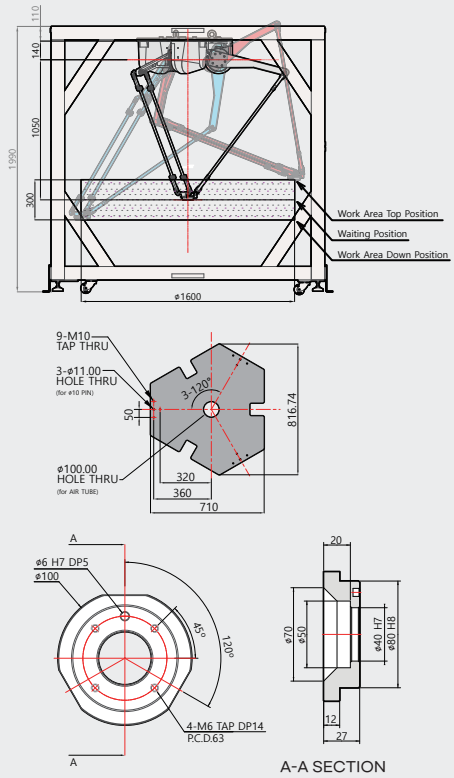
Item	단위	ZC1001
Compatible robot	-	all ZEUS Robot series
Dimensions	mm	315 x 210 x 150 (HxDxW)
Weight	kg	5
Maximum number of controllable axes	-	8
Programming language	-	Python
Teaching method	-	PC, JOG Stick, Teaching Pendant
I/O	-	1 Safety connector, 2 Ethernet ports, 2 USB ports, 1 Controller ports, 16 Input ports, 16 Output ports

DELTA Parallel robot ZRC

ZRC-0104R



ZRC-0316N



Item	Unit	ZRC-0104N	ZRC-0104R	ZRC-0313N	ZRC-0313R	ZRC-0316N	ZRC-0316R	
Structure	-	Parallel robot						
Degrees of motion freedom	-	3	4	3	4	3	4	
Mount direction	-	Floor, Ceiling		Floor (frame option), Ceiling				
Drive system	-	BLDC servo motor		AC servo motor				
Position detection method	-	Multi-turn Absolute Encoder (Battery Backup)						
Position control method	-	servo control						
Break	-	Electromagnetic Brake (J4 : No brake)						
Payload	kg	1		3	2	2	1	
Work area	-	ø 400 x H100		ø 1300 x H300		ø 1600 x H300		
Motion range	J1	116		135 (-90 ~ +45)		135 (-90 ~ +45)		
	J2							
	J3							
	Roll							-
Resultant velocity	XYZ	mm/s		4950				
	Roll	deg/s		-	1420	-	1000	-
Repeatability	XYZ	mm		±0.15				
	Roll	deg		-	±0.1	-	±0.1	-
Dimensions	-	(refer the dimension drawing)			(refer the dimension drawing)			
Weight (body only)	kg	19	20	80	81	80	81	
Power consumption	W	600		3000				
Compatible controller	-	ZC1***			ZC2***			
Manipulator cable length	m	2.9		5				
Manipulator mount	-	M10 screws at 6 spots		M10 screws at 9 spots				
End-effector mount	-	(refer the dimension drawing)						
Noise	dB	Under 72 (Based on our test)						



ZEUS Robot Series Inquires

TEL : 031-5187-1000 ~ 1001 FAX : +82 31-267-4720 E-mail : zero@globalzeus.com

Kako Talk channel : https://pf.kakao.com/_Nxlvls

Hwasung Headquarters

132, Annyeongnam-ro, Hwaseong-si, Gyeonggi-do, South Korea

TEL : 031-377-9500 FAX : 031-8077-9692



zero.globalzeus.com/en